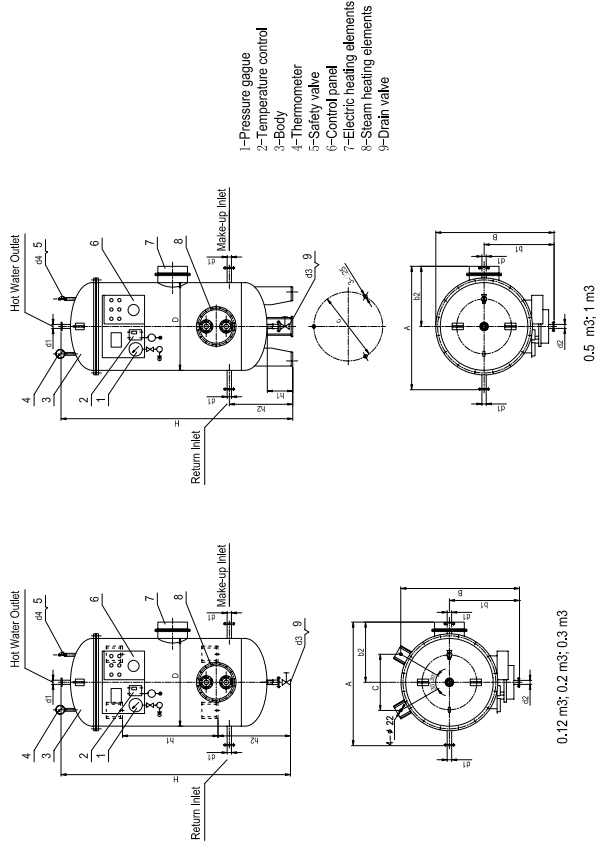
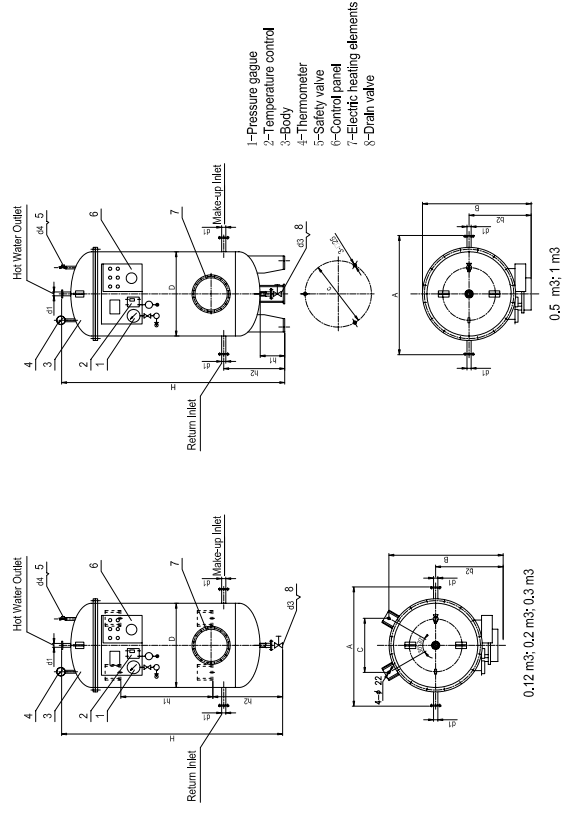


# CB/T3686-1995 Series Calorifier

## Electric/Steam Calorifier Series (I)



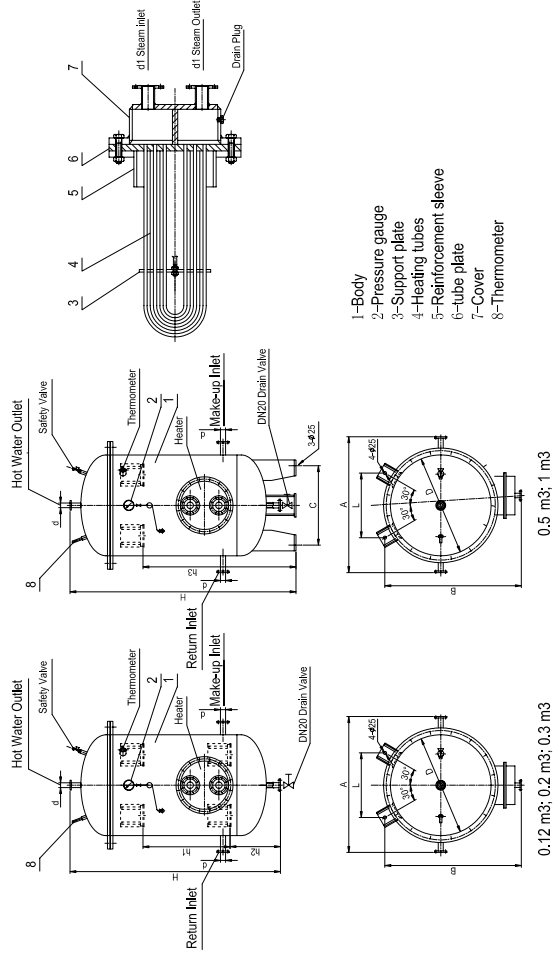
## Electric Calorifier Series (II)



### Specifications

Capacity, m <sup>3</sup>	Design pressure, MPa	Working pressure, MPa	Inlet water temp, °C	Outlet water temp, °C	Steam pressure, MPa	Steam heating area, m <sup>2</sup>	Steam heating (I)		Electric heating (I)		Electric heating (II)		Power supply	Dimensions (mm)																
							Water flow, kg/h	Steam flow, kg/h	Water flow, kg/h	Power, kW	Water flow, kg/h	Power, kW		D	A (I)	A (II)	B (I)	B (II)	H	d1	d2	d3	d4	b1 (I)	b2 (I)	b2 (II)	h1 (I)	h2 (I)	h2 (II)	c
0.12						0.24	275	27.5	90	6	12		440V, 60 Hz / 380V, 50 Hz	400	730	608	708	666	1240	DN25	DN20	DN20	3/4"	454	430	410	470	300	360	294
0.2						0.38	450	45	140	9	24			500	831	708	802	798	1366	DN25	DN20	DN20	3/4"	504	481	500	560	320	332	344
0.3	0.45	0.4	15	65	0.3	0.6	750	75	180	12	36			600	931	808	891	891	1444	DN32	DN20	DN20	1"	550	531	550	550	300	384	394
0.5						1.0	1200	120	280	18	60			700	1040	910	1020	995	1790	DN32	DN25	DN20	1 1/4"	605	585	580	200	500	500	580
1.0						2.6	3250	325	360	24				900	1140		1220	2032	DN40	DN32	DN25	1 1/2"	705	635		200	550		640	

# CB/456-92 Series Steam Calorifier



Specifications				Dimensions (mm)															
Capacity, m <sup>3</sup>	Design pressure, MPa	Working pressure, MPa	Inlet water temp, °C	Outlet water temp, °C	Steam pressure, MPa	Steam heating area, m <sup>2</sup>	Water flow, kg/h	Steam flow, kg/h	D	A	B	d	d1	C	L	h1	h2	h3	H
0.12						0.24	275	27.5	400	542	648	DN25	DN20	-	325	470	257	-	1270
0.2						0.38	450	45	500	708	755	DN25	DN20	-	310	596	280	-	1310
0.3	0.7	0.6	15	65	0.3	0.6	750	75	600	798	855	DN32	DN20	-	370	600	302	-	1370
0.5						1.0	1200	120	700	910	955	DN32	DN25	Ø590	425	-	-	1337	1630
1.0						2.6	3250	325	900	1100	1150	DN40	DN25	Ø630	525	-	-	1592	1930