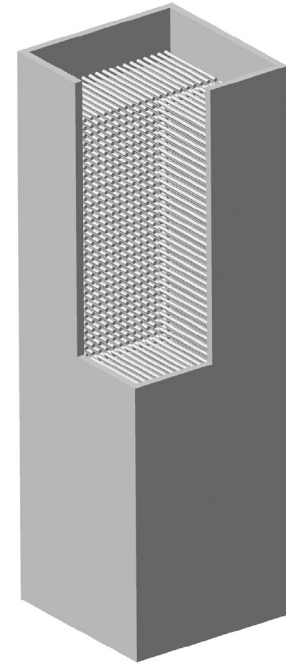


LYK Vertical Oil-fired Hot Water Boiler Series

LYK is vertical type oil-fired hot water boiler, generating hot water by means of burning of fuel oil, applicable for shipboard heating of jacket cooling water, fuel oil tanks, domestic water, air-conditioning, etc.

The boiler feature automatic control and fail-safe design for unmanned operation of modern ships. Alternatively, the boilers can be operated manually in case of emergency or cold starting.

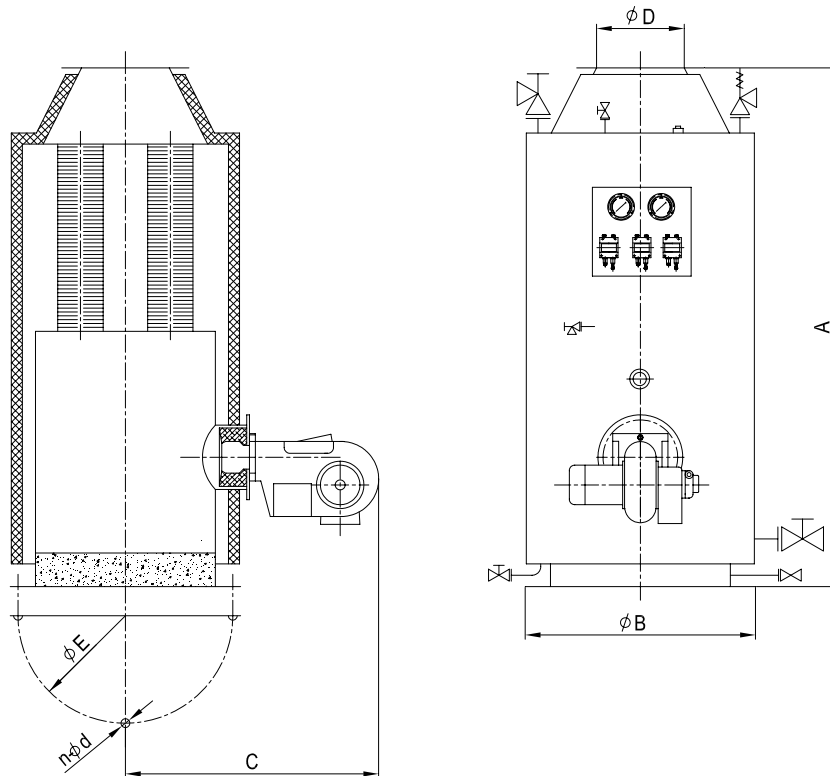
Besides of burning fuel oil, **LYK** type hot water series is upgradeable with electric heating device as fully automatic combined oil-fired/electric hot water boiler.



Square Pin-tube Element

Boiler Construction

LYK type hot water boiler is assembled 100% by welding, the boiler shell and inner cores forms the water chamber. The inner cores are consisted a furnace in the lower part, lined with refractory in the bottom and connected to square pin-tube elements on top. Each square pin-tube element has numerous steel stud welded onto the inner surface to increase heat transfer efficiency.



Boiler Type	Technical data & dimensions (mm)									Connection size (mm)				
	Capacity (MJ/h)	Maximum working pressure (MPa)	A	B	C	D	E	n-d	Weight (kg)	Water inlet valve	Water outlet valve	Safety valve	Water drain valve	Furnace drain valve
LYK166-0.3	166	0.3	1450	Ø500	850	DN150	Ø460	6- Ø18	450	DN25	DN25	DN25	DN20	DN25
LYK250/3-80-2	250	0.2	2190	Ø580	900	DN120	Ø530	8- Ø18	770	DN25	DN25	DN25	DN25	DN32
LYK375/4.8-90-1	375	0.5	1835	Ø666	930	DN150	Ø610	8- Ø18	840	DN32	DN32	DN25	DN25	DN32
LYK418-0.4	418	0.4	1900	Ø690	950	DN200	Ø650	12- Ø20	920	DN32	DN32	DN25	DN25	DN25
LYK523-0.4	523	0.4	2002	Ø760	980	DN150	Ø694	10- Ø18	944	DN40	DN40	DN32	DN25	DN25
LYK750-0.4	750	0.4	2100	Ø910	1250	DN250	Ø868	12- Ø22	1236	DN50	DN50	DN32	DN25	DN25
LYK840-0.4	840	0.4	2100	Ø 960	1200	DN250	Ø 910	12- Ø22	1580	DN50	DN50	DN50	DN25	DN25
LYK1000-0.4	1000	0.4	2200	Ø1100	1300	DN250	Ø1020	12- Ø22	1560	DN50	DN50	DN50	DN25	DN25
LYK1250-0.4	1250	0.4	2250	Ø1200	1350	DN300	Ø1100	12- Ø22	1840	DN50	DN50	DN50	DN25	DN25

Note:

1. Boilers are delivered based on a technical specification agreed with the customer who specified technical requirements, scope of delivery and classification.
2. Basic design data should include boiler model, type, specifications, capacity, working pressure, fuel oil type, inlet/outlet water temperatures, power supply.
3. Specific requirements beyond standard on request.